



**RF3417E**

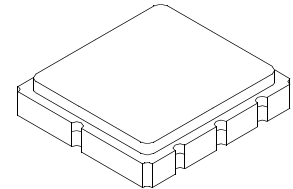
- **Ideal Front-End Filter for European Wireless Receivers**
- **Low-Loss, Coupled-Resonator Quartz Design**
- **Simple External Impedance Matching**
- **Complies with Directive 2002/95/EC (RoHS)**



**315.00 MHz  
SAW Filter**

The RF3417E is a low-loss, compact, and economical surface-acoustic-wave (SAW) filter designed to provide front-end selectivity in 315.0 MHz receivers. Receiver designs using this filter include superhet with 10.7 MHz or 500 kHz IF, direct conversion and superregen. Typical applications of these receivers are wireless remote-control and security devices operating in Europe under ETSI I-ETS 300 220, in Germany under FTZ 17 TR 2100, in the United Kingdom under DTI MPT 1340 (for automotive only), in France under PTT Specifications ST/PAA/TPA/AGH/1542, and in Scandinavia.

This coupled-resonator filter (CRF) uses selective null placement to provide suppression, typically greater than 40 dB, of the LO and image spurious responses of superhet receivers with 10.7 MHz IF. RFM's advanced SAW design and fabrication technology is utilized to achieve high performance and very low loss with simple external impedance matching (not included).



**SM3030-6 Case  
3.0 x 3.0**

**Electrical Characteristics**

Characteristic	Sym	Notes	Minimum	Typical	Maximum	Units
Center Frequency @ 25°C Absolute Frequency	$f_c$	1, 2, 3	314.900	315.00	315.100	MHz
Insertion Loss	IL	1		1.8	2.5	dB
3 dB Bandwidth	BW <sub>3</sub>	1, 3	525	600	675	kHz
1 dB Bandwidth	BW <sub>1</sub>	1, 3		450		kHz
Rejection	10 - 275 MHz	1, 3, 10, 11	40	60		dB
	275 - 306 MHz		40	45		
	306 - 313.2 MHz		25	30		
	313.2 - 314.2 MHz		7	15		
	315.8 - 317 MHz		12	15		
	317 - 321.8 MHz		25	30		
	321.8 - 326 MHz		12	17		
	326 - 355 MHz		37	45		
355 - 1000 MHz	50		55			
Temperature Freq. Temp. Coefficient	FTC	3, 4		0.032		ppm/°C <sup>2</sup>
Turnover Temperature	T <sub>o</sub>	3, 4	10		40	°C
Frequency Aging Absolute Value during the First Year	fA	5		<±10		ppm/yr
Impedance @ $f_c$	Input $Z_{IN} = R_{IN}/C_{IN}$	1	3.7kΩ // 2.03pF			
	Output $Z_{OUT} = R_{OUT}/C_{OUT}$		5.4kΩ // 2.17pF			
Lid Symbolization (in addition to Lot and/or Date Codes)	696 // YWWS					
Standard Reel Quantity 7 Inch Reel			9		500 Pieces/Reel	
Standard Reel Quantity 13 Inch Reel					3000 Pieces/Reel	



**CAUTION: Electrostatic Sensitive Device. Observe precautions for handling.**

Note:

1. Unless noted otherwise, all measurements are made with the filter installed in the specified test fixture which is connected to a 50 Ω test system with VSWR ≤ 1.2:1. The test fixture L and C are adjusted for minimum insertion loss at the filter center frequency,  $f_c$ . Note that insertion loss and bandwidth are dependent on the impedance matching component values and quality.
2. The frequency  $f_c$  is defined as the midpoint between the 3dB frequencies.
3. Where noted, specifications apply over the entire specified operating temperature range of -40 to 90°C.
4. The turnover temperature, T<sub>O</sub>, is the temperature of maximum (or turnover) frequency,  $f_o$ . The nominal frequency at any case temperature, T<sub>C</sub>, may be calculated from:  $f = f_o [1 - FTC (T_o - T_c)^2]$ .
5. Frequency aging is the change in  $f_c$  with time and is specified at +65°C or less. Aging may exceed the specification for prolonged temperatures above +65°C. Typically, aging is greatest the first year after manufacture, decreasing significantly in subsequent years.
6. The design, manufacturing process, and specifications of this device are subject to change without notice.
7. One or more of the following U.S. Patents apply: 4,54,488, 4,616,197, and others pending.
8. All equipment designs utilizing this product must be approved by the appropriate government agency prior to manufacture or sale.
9. Tape and Reel Standard for ANSI / EIA 481.
10. These values are attainable by using the optional pin out.
11. Typical rejection is defined as the typical rejection at the worst frequency in the band.

17 Apr 2007 11:50:38

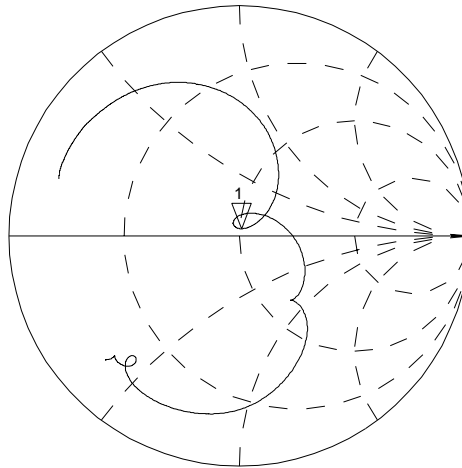
CH1 S11 1 UFS 1: 50.721  $\Omega$  3.2051  $\Omega$  1.6194 nH 315.000 000 MHz

*hp*  
RF3417E DEMO  
FULL 2 PORTS CAL.

Cor

Full

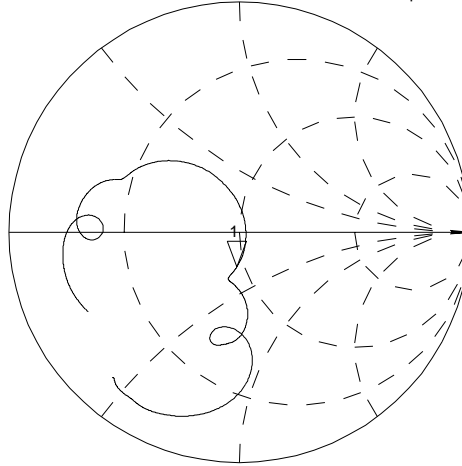
↑



CH2 S22 1 UFS 1: 46.738  $\Omega$  -14.436  $\Omega$  35.001 pF 315.000 000 MHz

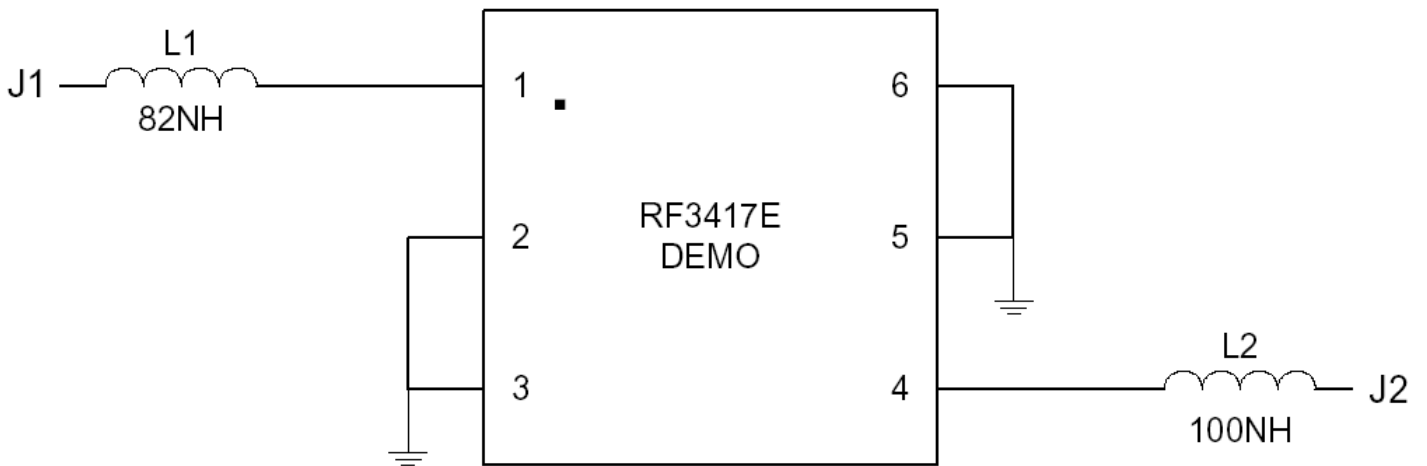
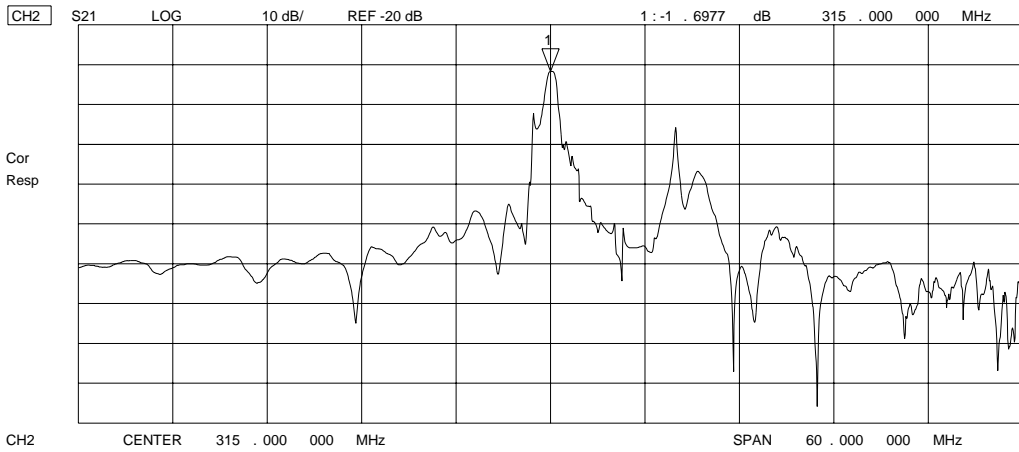
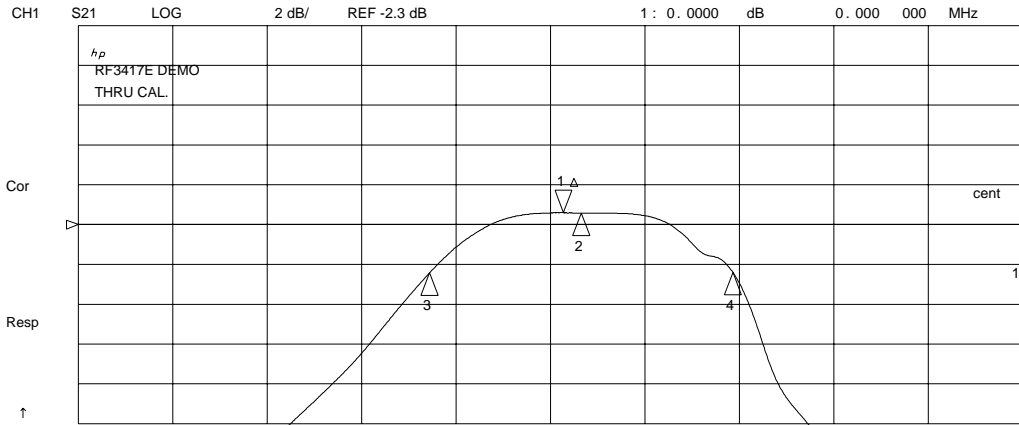
Cor  
Full

↑



CENTER 315.000 000 MHz SPAN 2.000 000 MHz

17 Apr 2007 11:50:52

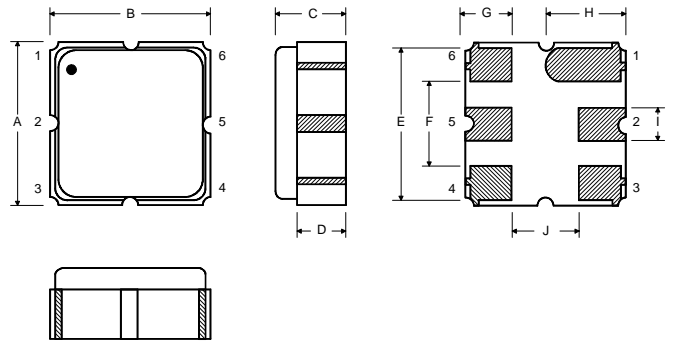


## Absolute Maximum Ratings

Rating	Value	Units
Input Power Level	10	dBm
DC Voltage	12	VDC
Storage Temperature	-40 to +125	°C
Operable Temperature Range	-40 to +125	°C
Soldering Temperature	(10 seconds / 5 cycles max.)	260 °C

## Electrical Connections

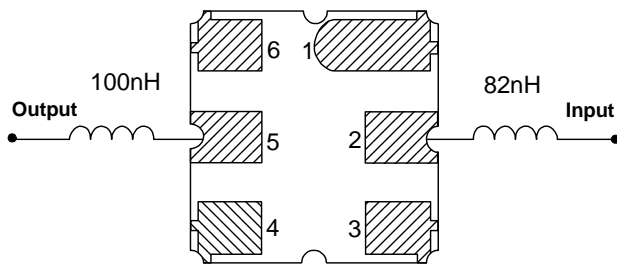
Pin	Connection
1	Input Ground
2	Input
3	Ground
4	Output Ground
5	Output
6	Ground



## Case Dimensions

Dimension	mm			Inches		
	Min	Nom	Max	Min	Nom	Max
A	2.87	3.0	3.13	0.113	0.118	0.123
B	2.87	3.0	3.13	0.113	0.118	0.123
C	1.12	1.25	1.38	0.044	0.049	0.054
D	0.77	0.90	1.03	0.030	0.035	0.040
E	2.67	2.80	2.93	0.105	0.110	0.115
F	1.47	1.6	1.73	0.058	0.063	0.068
G	0.72	0.85	0.98	0.028	0.033	0.038
H	1.37	1.5	1.63	0.054	0.059	0.064
I	0.47	0.60	0.73	0.019	0.024	0.029
J	1.17	1.30	1.43	0.046	0.051	0.056

## Matching Circuit to 50Ω



## OPTIONAL Electrical Connections

Pin	Connection
1	Input
2	Input Ground
3	Ground
4	Output
5	Output Ground
6	Ground

## Matching Circuit to 50Ω

